

EV8781

HD BULLET CAMERA

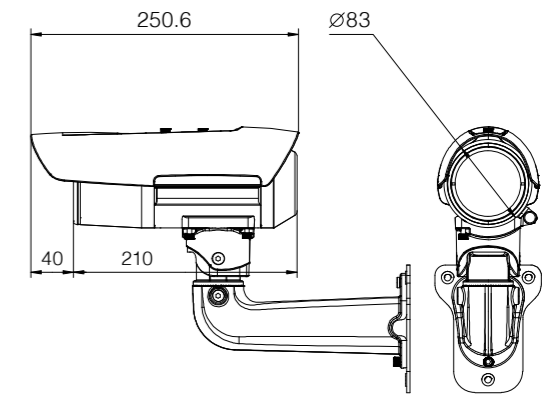


FEATURES

- ▶ 25 Meter IR Distance
- ▶ Operates in Temperature Range of -40°C to 60°C
- ▶ H.264 High Profile, MPEG-4, M-JPEG
- ▶ Up to 8 Independent Streams with ROI Feature
- ▶ Two-way Audio Support
- ▶ Power over Ethernet
- ▶ Waterproof(IP67)
- ▶ Event Recording to SD Card
- ▶ 3-Axis Bracket(Optional)

MODEL	RESOLUTION	FRAME RATE	LENS	WDR
EV8781F-B	5 MP	10 fps	7.8 mm, F1.8	N/A
EV8781Q-MD	3 MP	20 fps	3~9 mm, F1.2, 3x Zoom	YES
EV8781Q-CD	3 MP	20 fps	3~10 mm, F1.3	YES
EV8781Q-DD	3 MP	20 fps	9~22 mm, F1.5	YES
EV8781U-C	2.1 MP	30 fps	3~10 mm, F1.3	N/A
EV8781U-D	2.1 MP	30 fps	9~22 mm, F1.5	N/A
EV8781A-C	1.3 MP	30 fps	3~10 mm, F1.3	N/A
EV8781A-D	1.3 MP	30 fps	9~22 mm, F1.5	N/A
EV8781A-CD	1.3 MP	30 fps	3~10 mm, F1.3	YES
EV8781A-DD	1.3 MP	30 fps	9~22 mm, F1.5	YES

DIMENSIONS(unit:mm)



SPECIFICATIONS

Model	EV8781F-B	EV8781U-C/D	EV8781A-C/D	EV8781Q-MD WDR 3X OPTICAL ZOOM	EV8781Q-CD/DD WDR	EV8781A-CD/DD WDR
Image Sensor	1/2.5" 5 MP CMOS	1/2.7" HD-1080p CMOS	1/3" 1.3 MP CMOS	1/3" 3 MP WDR CMOS	1/3" 3 MP WDR CMOS	1/3" 1.3 MP WDR CMOS
WDR	N/A		N/A	Dual-exposure, up to 110 dB		
Num. of Effective Pixels	2592 x 1920 HxV	1920 x 1080 HxV	1280 x 1024 HxV	2048 x 1536 HxV		1280 x 1024 HxV
Lens	7.8 mm, F1.8 Fixed Iris	EV8781U-C: 3~10 mm Vari-Focal, F1.3 EV8781U-D: 9~22 mm Vari-Focal, F1.5	EV8781A-C: 3~10 mm Vari-Focal, F1.3 EV8781A-D: 9~22 mm Vari-Focal, F1.5	3x Optical Zoom: 3~9 mm, F1.2	EV8781Q-CD: 3~10 mm Vari-Focal, F1.3 EV8781Q-DD: 9~22 mm Vari-Focal, F1.5	EV8781A-CD: 3~10 mm Vari-Focal, F1.3 EV8781A-DD: 9~22 mm Vari-Focal, F1.5
Minimum Illumination	0.1 Lux @ F1.2, 0 Lux(IR on, 28 Pcs LED 25 Meters)					
Shutter Time(Sec.)	1/3~1/6400 or 1/4~1/8000 Selectable					
Auto Iris	N/A	DC Drive		P-IRIS	DC Drive	
S/N Ratio	More than 38 dB			More than 39 dB		
Day/Night	YES, Built-in ICR, IR Auto-start under 10 Lux					
Video Compression	Motion JPEG, MPEG-4, H.264 High Profile					
H.264/MJPEG	10fps @ 5 MP, 20fps @ 3 MP, 30fps @ HD-1080p / HD-720p / 1024 x 768 / 800 x 600 / D1 / VGA / QVGA / QQVGA / Minilux Mode	30fps @ HD-1080p / HD-720p / D1 / VGA / QVGA / QQVGA	30fps @ SXGA / 1024 x 768 / 800 x 600 / D1 / VGA / QVGA / QQVGA	20fps @ 3 MP, 30fps @ HD-1080p / HD-720p / 1024 x 768 / 800 x 600 / D1 / VGA / QVGA / QQVGA	30fps @ SXGA / 1024 x 768 / 800 x 600 / D1 / VGA / QVGA / QQVGA	30fps @ SXGA / 1024 x 768 / 800 x 600 / D1 / VGA / QVGA / QQVGA
MPEG4	30fps @ HD-1080p / HD-720p / 1024 x 768 / 800 x 600 / D1 / VGA / QVGA / QQVGA / Minilux Mode	30fps @ HD-1080p / HD-720p / D1 / VGA / QVGA / QQVGA	30fps @ SXGA / 1024 x 768 / 800 x 600 / D1 / VGA / QVGA / QQVGA	30fps @ HD-1080p / HD-720p / 1024 x 768 / 800 x 600 / D1 / VGA / QVGA / QQVGA	30fps @ SXGA / 1024 x 768 / 800 x 600 / D1 / VGA / QVGA / QQVGA	30fps @ SXGA / 1024 x 768 / 800 x 600 / D1 / VGA / QVGA / QQVGA
Video Streaming	Multiple Stream: Support up to 8 Independent Streams with ROI(Region of Interest) Feature, Controllable Framerate and Bandwidth CBR/VBR		Multiple Stream: Support up to 4 Independent Streams with ROI(Region of Interest) Feature, Controllable Framerate and Bandwidth CBR/VBR		Multiple Stream: Support up to 4 Independent Streams with ROI(Region of Interest) Feature, Controllable Framerate and Bandwidth CBR/VBR	
Bitrate	M-JPEG/VBR Mode: 5 Video Quality Level Selectable, MPEG-4/H.264 CBR Mode: 1 M~12 Mbps		M-JPEG/VBR Mode: 5 Video Quality Level Selectable, MPEG-4/H.264 CBR Mode: 1 M~12 Mbps			
Video Output	SDTV- Composite Video					
Image Setting	Compression, Brightness, Contrast, Mirroring, Sharpness, AWB, AES, AGC, BLC, Day/Night Mode, WDR, 4 Privacy Mask Regions					
Audio Compression	G.711(u-law & a-law)/G.726/AAC					
Audio Input	Line In x 1					
Audio Output	Line Out x 1					
Security	Password Protection, IP Address Filtering, User Access Privilege					
Network Protocols	TCP/IP, UDP, DHCP, PPPoE, HTTP, HTTPS, DNS, DynDNS, NTP, FTP, SMTP, UDP, RTP, RTSP, RTCP, 3GPP, UPnP, IPv4/v6, SAMBA Client(NAS)					
App. Integration Interface	CGI, ONVIF Support					
Intelligent Video	Video Motion Detection, Face Detection	Video Motion Detection	Video Motion Detection			
Alarm Trigger	Periodical Timer, Intelligent Video and External Digital Input					
Alarm Event	Intelligent Video, File Upload via FTP and E-mail, Notification via E-mail, External Output Activation, File Recording to SD Card/Remote FTP/Remote NAS		Intelligent Video, File Upload via FTP and E-mail, Notification via E-mail, External Output Activation, File Recording to SD Card/Remote FTP/Remote NAS			
Video Buffer	24 MB Max.					
Configuration	EtroScan™ Utility, Web UI					
Web Browser	Microsoft Internet Explorer 7.0, or Above					
Local Storage	microSD/SDHC Card Support					
Casing	Metal(Aluminum), IP67, Vandal-proof					
Dimension	95(W) x 95(H) x 251(D) mm					
Weight	1.8 Kg(Including the Bracket)					
Processor & Memory	ARM 9 Base SoC, 256 MB RAM, 128 MB Flash					
Power Consumption	Power Input: 8~25 Vdc, 24 Vac, PoE; Max. Consumption: 8 Watt					
I/O Connectors	1) RJ-45 Female Type 10 BASE-T/100 BASE-TX 2) 3-Pin Terminal Block for DC/AC Power Input 3) 9-Pin Terminal Block for DI, DO, RS-485, Light Sensor Trigger In/Out	4) Audio Line In/Out 5) microSD Card Slot	1) RJ-45 Female Type 10 BASE-T/100 BASE-TX 2) 3-Pin Terminal Block for DC/AC Power Input 3) 9-Pin Terminal Block for DI, DO, RS-485, Light Sensor Trigger In/Out	4) Audio Line In/Out 5) microSD Card Slot		
Failover	microSD/SDHC Auto-recovery, Reset					
Operation Conditions	-40°C~60°C(-40°F~140°F) Humidity: 20%~80% RH		-40°C~60°C(-40°F~140°F) Humidity: 20%~80% RH		-10°C~50°C(14°F~122°F) Humidity: 20%~80% RH	
Power over Ethernet	802.3 af Standard A/B Compliant					
Included Accessories	QIG, Power Adapter, Power Cable, I/O Cable, CD-ROM(User Manual, Free Bundle NVR), Stand					
Approvals	FCC Part15 SubpartB, CE, CN EN55022 ClassB, EN55024, LVD, RoHS					
IR Range	25 M					
Number of IR LED	28					
IR Angle	IR View Angle: 25°/60°					
IR Wavelength	850 nm					